

November 25, 2019

Nabtesco Group Company – OVALO GmbH – has been selected as the supplier of the actuators for Predictive Active Suspension of AUDI A8 2020 Model

Nabtesco Corporation (TSE:6268, Headquarters: Tokyo/Japan, President & CEO: Katsuhiro Teramoto) announced today, that their consolidated company OVALO GmbH (Headquarters: Limburg an der Lahn/Germany, Co-President: Nobuhide Shiga, Daisuke Numata) has been selected as the supplier of the actuators for Predictive Active Suspension available in AUDI A8 models.

With the actuators developed and manufactured by OVALO each wheel can be driven individually into compression and rebound. This enables the active suspension to control vehicle's body movements to significantly improve riding comfort, especially in case of very uneven road conditions, and also to control rolling and other movements of the car's body during turning, accelerating and braking manoeuvres.

These features provide in conjunction with the adaptive air suspension and Audi drive select a highly innovated system by combining riding comfort and driving performance at a very high level.

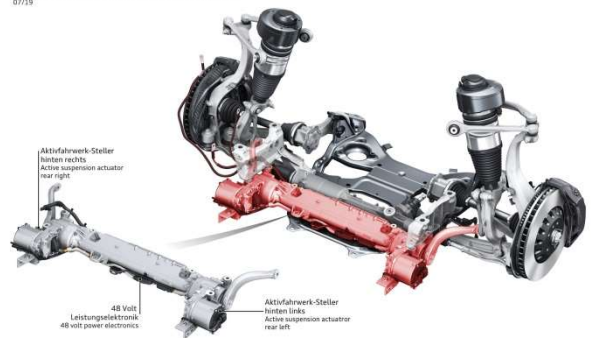
The OVALO actuator consists of a completely new developed compact reduction gear (wave gear) together with a powerful motor of exclusive design, titanium torsion shaft and proprietary software.

OVALO GmbH with its unique motion control technology will enable AUDI to provide safety, comfort and a sense of security in the new A8 models.

Audi A8
vorausschauendes Aktivfahrwerk
Predictive active suspension
07/19



Audi A8
Füßlenker-Vorderachse mit vorausschauendem Aktivfahrwerk
Five link front suspension with predictive active suspension
07/19



(Source: AUDI Media Center)